

## ■ Safety Instruction:

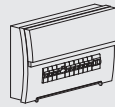
Basic safety precautions should always be followed when installing, including the following:

1. Read instructions carefully before installing.
2. This LED Panel requires professional installation and maintenance.
3. The power supply of the LED Panel should be powered by a dedicated external LED driver.
4. Disconnect the power supply before installing or maintenance.
5. Make sure the wires have been properly connected before powering on the device.
6. Ensure the product has enough space for heat dissipation.
7. Ensure the luminaries are never covered by any heat insulation mat or slim layer material at anytime.
8. Dimmable version could be compatible with a wide range of recommended TRIAC dimmers.
9. IP40 for indoor use only, not for damp location; IP54 for indoor damp location.
10. Ambient Temperature: -10°C to + 45°C.
11. Storage Conditions: Cool & dry conditions.

## ■ Installation Procedure

### ⚡ WARNING:

1. Switch off before installation.
2. Switch on only after complete installation and examination of the circuit.

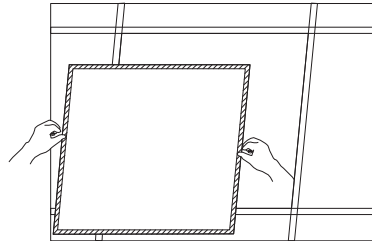


Turn Off  
Power Supply

### ⚠ CAUTION:

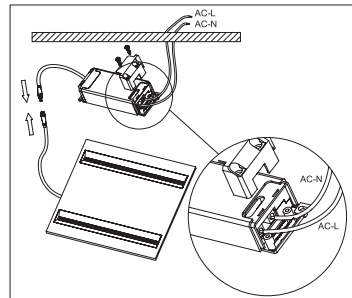
Make sure that the mounting surface or structural member used for installation can support the weight of LED Panel.

## ■ Recessed



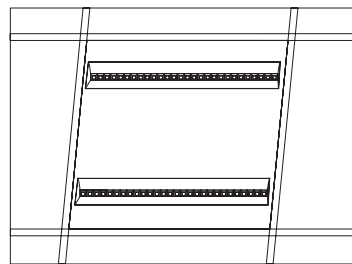
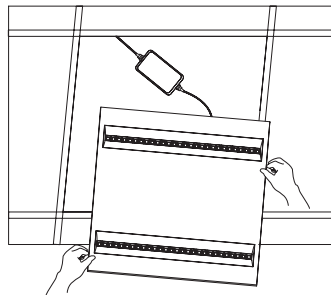
- ←
- ① Remove ceiling plaster slab.

- ② Connect the main AC wire L, N to the terminal of driver respectively. Connect the DC plug between driver and panel light.

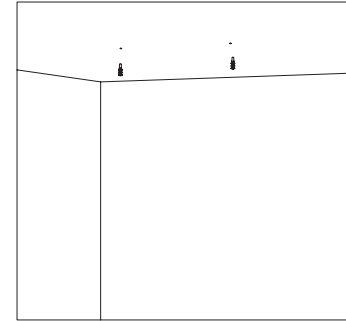


- ←
- ③ Fix the panel light to the plaster ceiling firmly.

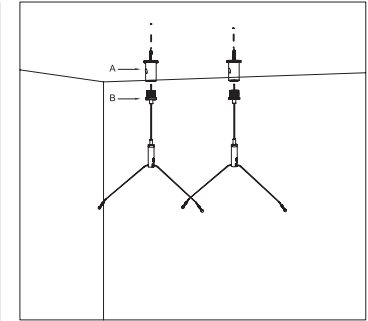
- ④ Installation complete, turn on the power.
- 



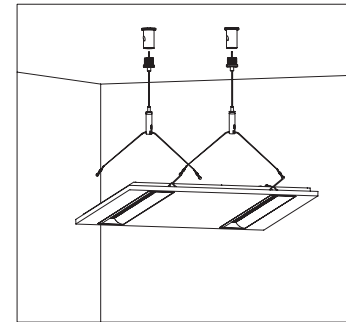
## ■ Suspended



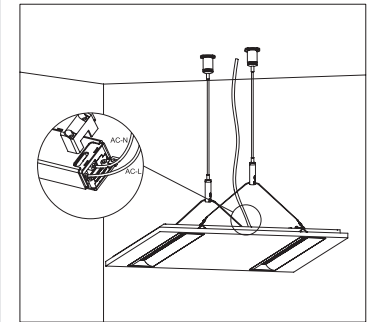
- ←
- ① Knock the plastic anchor into ceiling.



- ② Fix part A with tapping screw to ceiling, Wire rope goes through part B, and then screw B into A.
- 



- ←
- ③ Hanging the panel light to the suspending wires, connect the DC plug between driver and panel light.



- ④ Connect the main AC wire L, N to the terminal of driver respectively.
- 

### Warning:

Input wire diameter  $\geq 0.75\text{mm}^2$ ;

Product modification and improper installation are not valid for warranty!