



TRAXON

Washer Go Mini White

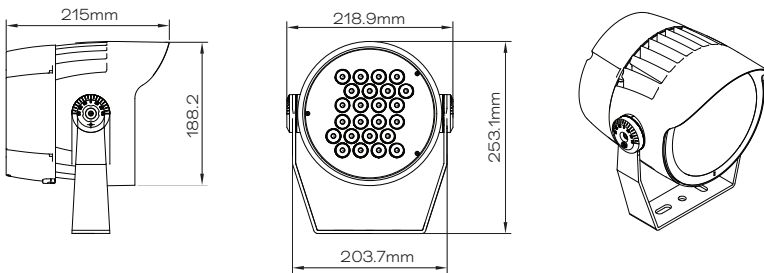


The Traxon Washer Go Mini is an AC line powered exterior luminaire used to distinguish facades, walls, and architectural landmarks with a powerful, even color wash effect. Washer Go's high-value design features efficient electrical and optical systems, making it ideal for budget-conscious projects.

Features

- DMX control
- Easy installation and maintenance

Dimensions



TRAXON Go⁺

Project: _____

Type: _____



IP66



COAST



DMX 512



ANSI 3G

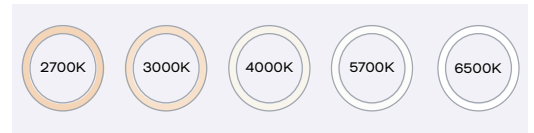


IK07

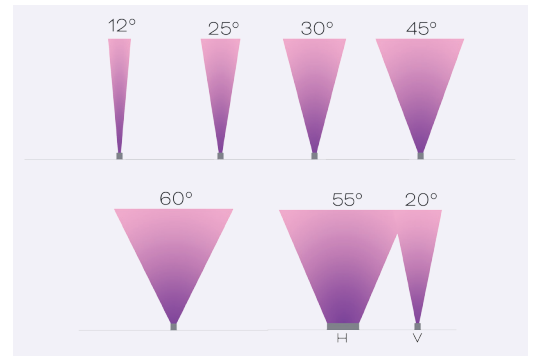
Technologies

- Manual-Addressing with TX Addresser

Color Options



Beam Angle



Finish



Traxon Signature Gray: RAL7005

Product Specifications

Model	Washer Go Mini White
Light Source	White: 24pcs LED
Color Range	White: 2700K, 3000K, 4000K, 5700K, 6500K
LED Quantity	24pcs LED
Luminous Flux	White 3000K: 3750 lm (full on 12°) White 4000K: 4250 lm (full on 12°)
Candela	White 3000K: 52886 cd (full on 12°) White 4000K: 59938 cd (full on 12°)
Efficacy	White 3000K: 75 lm/W (full on 12°) White 4000K: 85 lm/W (full on 12°)
CRI	≥ 80 (White: 2700K/3000K/4000K) ≥ 70 (White: 5700K/6500K)
SDCM	≤5 step
Beam Angles	12°, 25°, 30°, 45°, 60°, 55x20°
Cover Lens	Tempered Glass
Housing	Die Cast Aluminum
Housing Finish Options	Traxon Signature Gray (RAL7005)
Adjustment Options	-90° to +90°
Mounting	Yoke Mount
Dimensions (W x D x H)	219mm x 215mm x 253mm
Weight	4.2kg
EPA	Front: 31852mm ² / 0.34ft ² Side: 39108mm ² / 0.42ft ²
Regulatory Listing & Safety Approval	CE, UKCA, ANSI C136.31-3G
Operating Temperature	-30°C to +50°C (-22°F to +122°F)
Minimum Starting Temperature	-20°C (-4°F)
Storage Temperature	-40°C to +80°C (-40°F to +176°F)
Environment	Outdoor, IP66, IK07, Coastal Environment (ASTM B117-16)
Humidity	85%, non-condensing

Electrical Specifications

Input Voltage	220-240V AC
Power Consumption	50W
Lumen Maintenance	L70 50000hrs @ 25°C

System Specifications

Power	AC Line
Control	DMX 512
Addressing Options	Manual-Addressing with TX Addresser
Chipset	MR DMX05

LED CHARACTERISTICS Because LEDs are semiconductor devices, their performances are subject to inherent variability commonly found in semiconductor industry. To improve consistency in performance across the same product, LED manufacturers "sort" LEDs into bins according to different preset parameters, such as forward driving voltage, illumination, etc. Whereas binning is a sorting function, it is not a correction process. Inherent variability in the manufacturing process results always in different binning distributions according to different production lots. Traxon uses automatically binned LEDs on its products, thereby minimizing output variations within the model range.

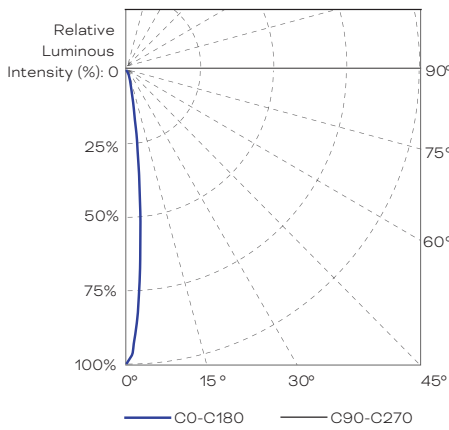
As with all electronic devices, LED output degrades over time - a term called lumen depreciation. This also explains why it is nearly impossible to expect photometric performances of two LED products with different service life spans to be the same. The rate of LED degrade is a complicate function of many factors such as operating efficiency, duration of continuous operation, and more significantly, environmental conditions (ambient temperature for example). If allowed working under optimal operating temperature range and with good ventilation, LED devices enjoy long service lives over conventional light sources. When using/installing LED devices, care should be taken to ensure that the devices will operate within the operating conditions specified in respective product literature.

Lumen measurement complies with LM-79-09 standard.
Lumen maintenance is calculated based on LM-80 compliant measurement.

Source Specifications

Source	White: 24pcs LED
Optics	12°

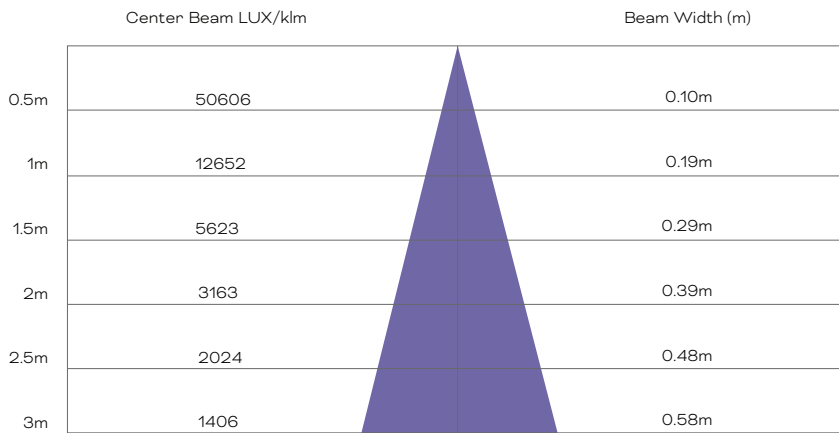
Candela Distribution



Light Output

Color	Luminous Flux (lm)	Center Intensity (cd)	Efficacy (lm/W)
2700K	3500	49361	70
3000K	3750	52886	75
4000K	4250	59938	85
5700K	4250	59938	85

Illuminance at a Distance



● Horiz.Spread: 11.0°

For fc divide by 10.7

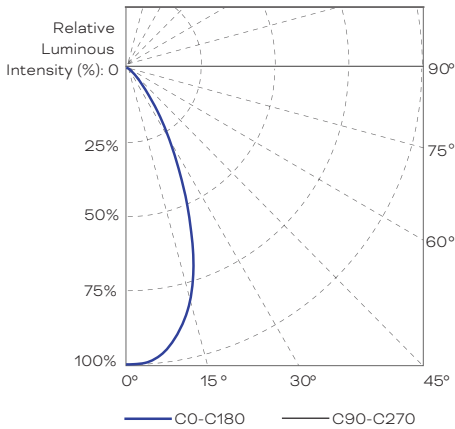
For feet multiply by 3.28

IES and LDT files are available for download from the Traxon website.

Source Specifications

Source	White: 24pcs LED
Optics	60°

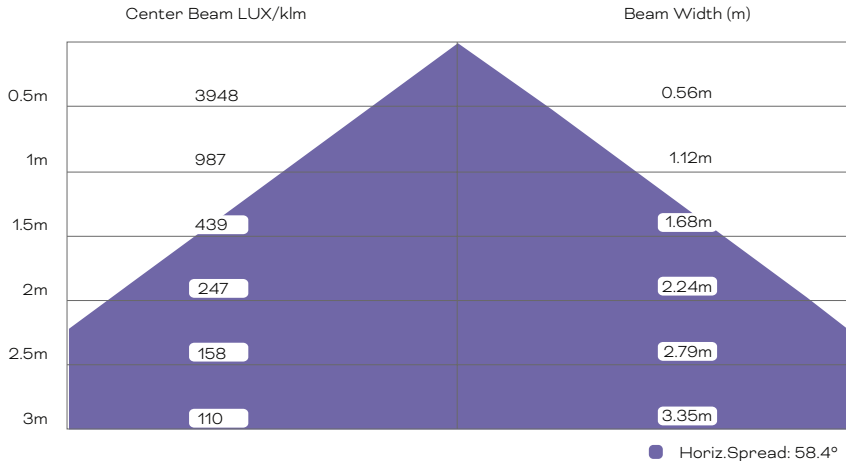
Candela Distribution



Light Output

Color	Luminous Flux (lm)	Center Intensity (cd)	Efficacy (lm/W)
2700K	2975	3037	60
3000K	3188	3253	64
4000K	3613	3687	72
5700K	3613	3687	72

Illuminance at a Distance

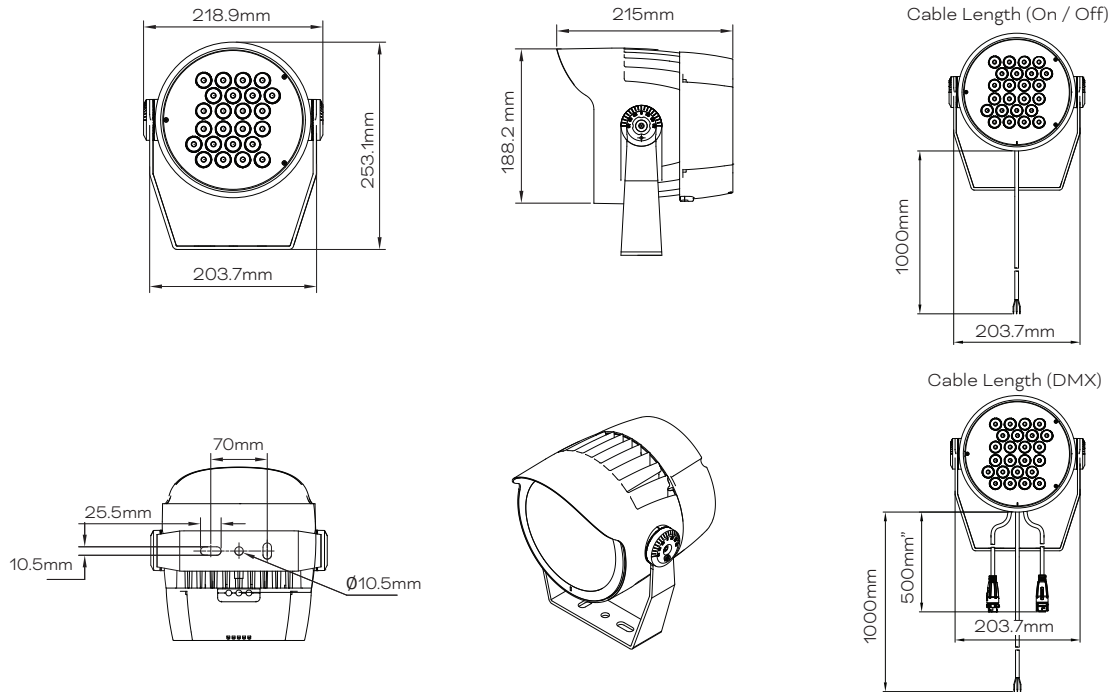


For fc divide by 10.7

For feet multiply by 3.28

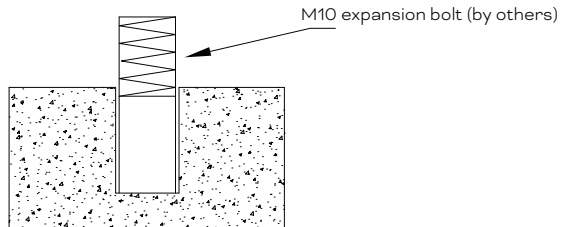
IES and LDT files are available for download from the Traxon website.

Fixture Dimensions

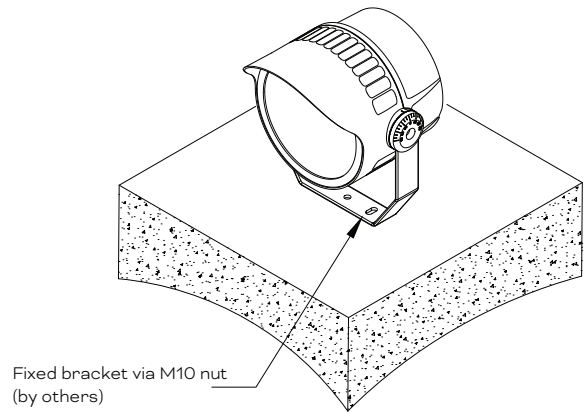


Bracket Mounting

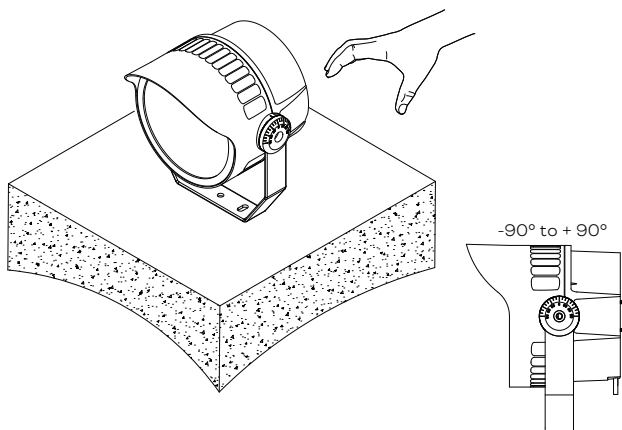
Install expansion screws on the fixed surface



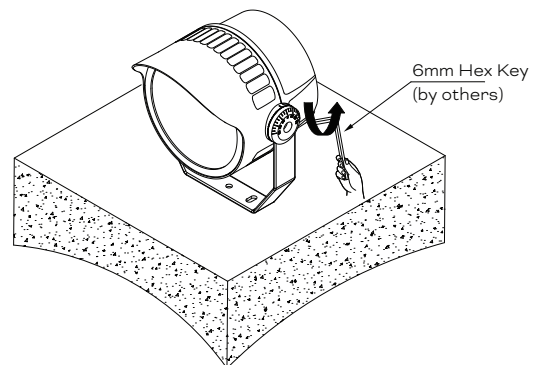
Fix the bracket




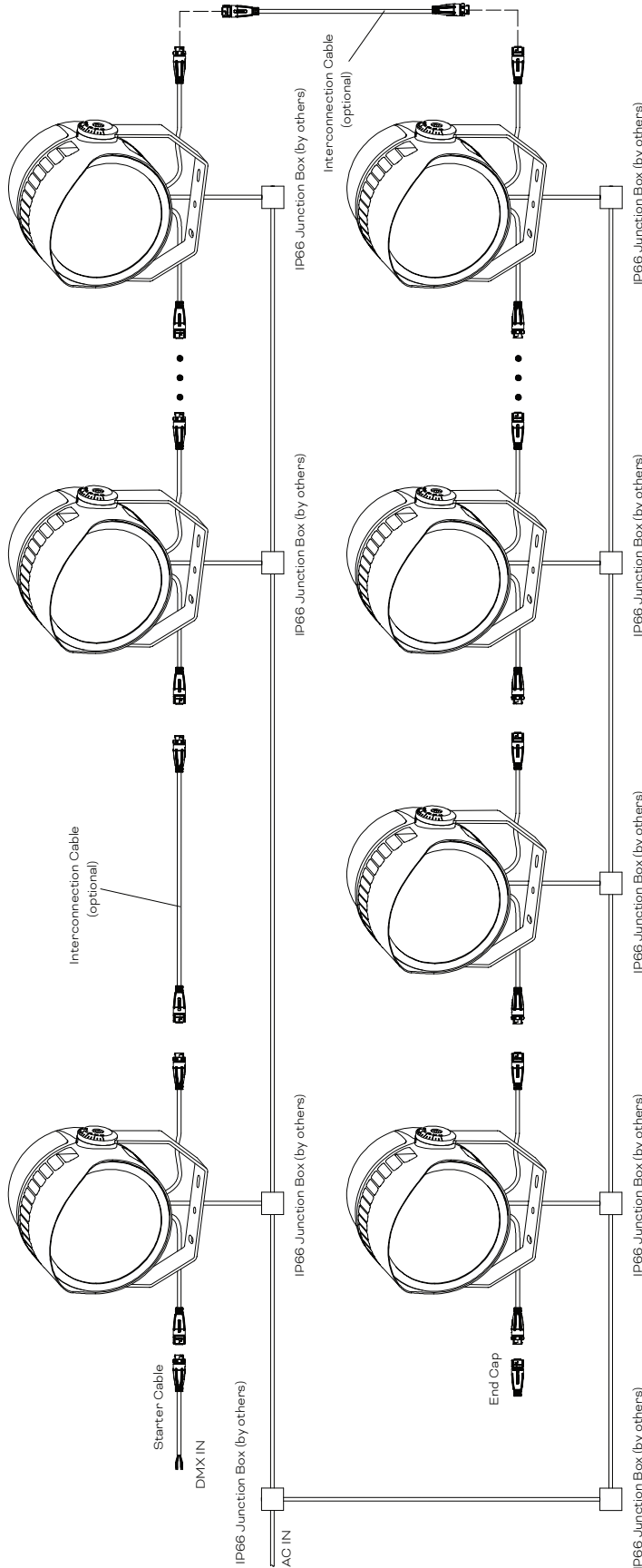
Adjust desired angles



Tighten the bracket bolts to fix the luminaire to the desired angle



 A safety wire must be installed to provide secondary protection to prevent fixtures from falling and injuring people (by others).



- Data cabling from DMX source to Starter cable shall be Cat5e UTP or other cable type suitable for DMX communication.

For controlling the fixtures	For addressing the fixtures
80m / 262'	80m / 262'
30m / 98'	12m / 39'
200m / 656'	200m / 656'
40pcs	40pcs

Maximum distance from Control/Addressing source to the first fixture
 Maximum distance between fixture to fixture
 Maximum distance from Control source to last fixture on a single DMX512 link
 Maximum number of fixture on a single DMX512 link
 Maximum number of fixtures is based on minimal interconnection lengths fixture to fixture.
 Actual number of fixtures is dependent on cable interconnection lengths. The number of fixtures will reduce if longer cable lengths are used. Please consult regional sales office to confirm maximums.

4-Core Cable: Data Input

Signal	Wire Size	Color	Connection
DMX+	20AWG	Red	DMX+
DMX-	20AWG	White	DMX-
Address	20AWG	Black	Do not connect
GND	20AWG	Green	GND

3-Core Cable: Power Input Mains AC 220-240V (CE)

Function	Wire Size	Color	Connection
PE	1.0mm ²	Green/Yellow	PE
Line	1.0mm ²	Brown	Line
Neutral	1.0mm ²	Blue	Neutral

Washer Go Mini White

Ordering

Model Number

XB	.	WG	.	N	.	N	.	N	.	1	.	1	.	1	.	0	.	0
				Wattage		LED		Optics		Control		Approbation		Add on				
				3: 50WAC		7: 2700K		1: 12°		1: DMX		1: CE		1: With Glare Shield				
						8: 3000K		2: 25°										
						A: 4000K		3: 30°										
						D: 5700K		4: 45°										
						E: 6500K		5: 60°										
								6: 55° x 20°										
Desired Model Number:																		
XB.		WG.								1		1		1		0		0==

Fixtures

Model No.	Description	Item Code
XB.WG.37111100	WASHER GO MINI AC 50W 2700K 12° CE GS	DL23100049155
XB.WG.38111100	WASHER GO MINI AC 50W 3000K 12° CE GS	DL23100049255
XB.WG.3A111100	WASHER GO MINI AC 50W 4000K 12° CE GS	DL23100049355
XB.WG.3D111100	WASHER GO MINI AC 50W 5700K 12° CE GS	DL23100049455
XB.WG.3E111100	WASHER GO MINI AC 50W 6500K 12° CE GS	DL23100049555
XB.WG.37211100	WASHER GO MINI AC 50W 2700K 25° CE GS	DL23100050455
XB.WG.38211100	WASHER GO MINI AC 50W 3000K 25° CE GS	DL23100050555
XB.WG.3A211100	WASHER GO MINI AC 50W 4000K 25° CE GS	DL23100050655
XB.WG.3D211100	WASHER GO MINI AC 50W 5700K 25° CE GS	DL23100050755
XB.WG.3E211100	WASHER GO MINI AC 50W 6500K 25° CE GS	DL23100050855
XB.WG.37311100	WASHER GO MINI AC 50W 2700K 30° CE GS	DL23100051755
XB.WG.38311100	WASHER GO MINI AC 50W 3000K 30° CE GS	DL23100051855
XB.WG.3A311100	WASHER GO MINI AC 50W 4000K 30° CE GS	DL23100051955
XB.WG.3D311100	WASHER GO MINI AC 50W 5700K 30° CE GS	DL23100052055
XB.WG.3E311100	WASHER GO MINI AC 50W 6500K 30° CE GS	DL23100052155
XB.WG.37411100	WASHER GO MINI AC 50W 2700K 45° CE GS	DL23100053055
XB.WG.38411100	WASHER GO MINI AC 50W 3000K 45° CE GS	DL23100053155
XB.WG.3A411100	WASHER GO MINI AC 50W 4000K 45° CE GS	DL23100053255
XB.WG.3D411100	WASHER GO MINI AC 50W 5700K 45° CE GS	DL23100053355
XB.WG.3E411100	WASHER GO MINI AC 50W 6500K 45° CE GS	DL23100053455
XB.WG.37511100	WASHER GO MINI AC 50W 2700K 60° CE GS	DL23100054355
XB.WG.38511100	WASHER GO MINI AC 50W 3000K 60° CE GS	DL23100054455
XB.WG.3A511100	WASHER GO MINI AC 50W 4000K 60° CE GS	DL23100054555
XB.WG.3D511100	WASHER GO MINI AC 50W 5700K 60° CE GS	DL23100054655
XB.WG.3E511100	WASHER GO MINI AC 50W 6500K 60° CE GS	DL23100054755
XB.WG.37611100	WASHER GO MINI AC 50W 2700K 55x20° CE GS	DL23100055655
XB.WG.38611100	WASHER GO MINI AC 50W 3000K 55x20° CE GS	DL23100055755
XB.WG.3A611100	WASHER GO MINI AC 50W 4000K 55x20° CE GS	DL23100055855
XB.WG.3D611100	WASHER GO MINI AC 50W 5700K 55x20° CE GS	DL23100055955
XB.WG.3E611100	WASHER GO MINI AC 50W 6500K 55x20° CE GS	DL23100056055

TX Connect

Model No.	Description	Item Code
N / A	STARTER CABLE JYK DATA 4-PIN 0.5M	DA23100095655
N / A	STARTER CABLE JYK DATA 4-PIN 2M	DA23100095755
N / A	INTERCONNECTION CABLE JYK DATA 4-PIN 0.5M	DA23100095855
N / A	INTERCONNECTION CABLE JYK DATA 4-PIN 2M	DA23100095955
N / A	END CAP JYK DATA 4-PIN W/TERM	DA23100096055

TX Control

Model No.	Description	Item Code
CD.SA.0000100	TX SMART ADDRESSER	AM438260055

