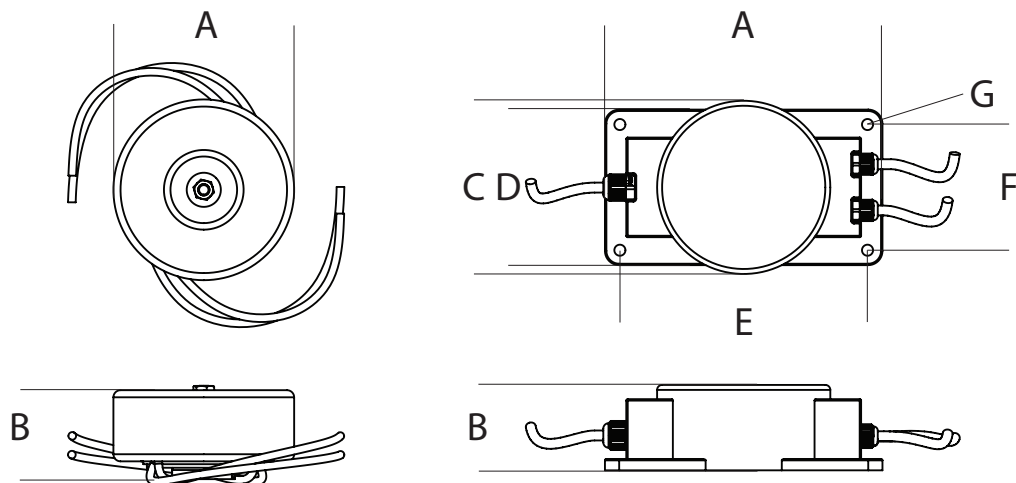


TORO



	TR150-DIN	TR350-DIN	TR700-DIN	TR150-IP64	TR350-IP64	TR700-IP64
Input Voltage	230 VAC					
Frequency	50Hz					
Thermal Fuse (primary)	tripping at 130° C					
Output Voltage	12 VAC					
Power	150 VA	350 VA	700 VA	150 VA	350 VA	700 VA
Output Current max	12,5 A	29,2 A	58,3 A	12,5 A	29,2 A	58,3 A
Dielectric Strength PRI-SEC	4kV AC RMS					
IP rating	IP00	IP00	IP00	IP64	IP64	IP64
Construction Class	Class II 					
Thermal Class	B (130°C)					
Max. Ambient Temp (ta)	40°C					
Weight	2,1 kg	3,75 kg	6,9 kg	3,12 kg	4,9 kg	9,6 kg
According to safety standard	EN 61558-2-6:2009 & EN 61558-1-2005/A1:2009					
Input Leads (primary)	brown / black					
Output Leads (secondary)	red / red					
Dimensions:						
A	102 mm	129 mm	155 mm	195 mm	210 mm	257 mm
B	62 mm	75 mm	83 mm	60 mm	70 mm	97 mm
C				125 mm	139 mm	190 mm
D				110 mm	110 mm	140 mm
E				175 mm	190 mm	237 mm
F				90 mm	90 mm	120 mm
G				Ø 7,5 mm	Ø 7,5 mm	Ø 9,5 mm