



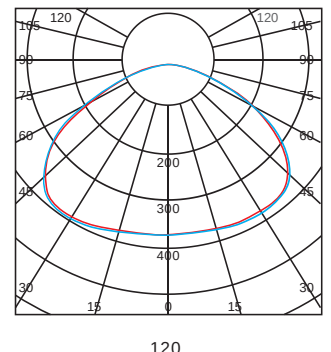
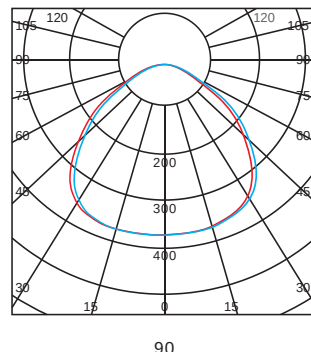
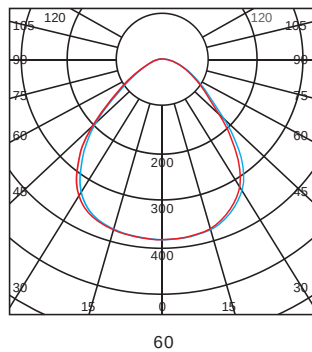
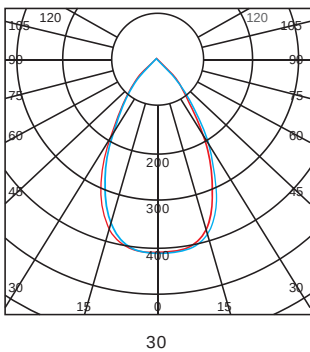
KLE - 1017

KEY ADVANTAGES

- ✓ ATEX APPROVED ZONE 1 & 2
- ✓ WIDE RANGE OF OPERATING TEMPERATURES
- ✓ IP66
- ✓ DESIGNED FOR CHALLENGING MARINE AND SHORE BASED ENVIRONMENTS



PHOTOMETRIC DATA



COMPACT DESIGN

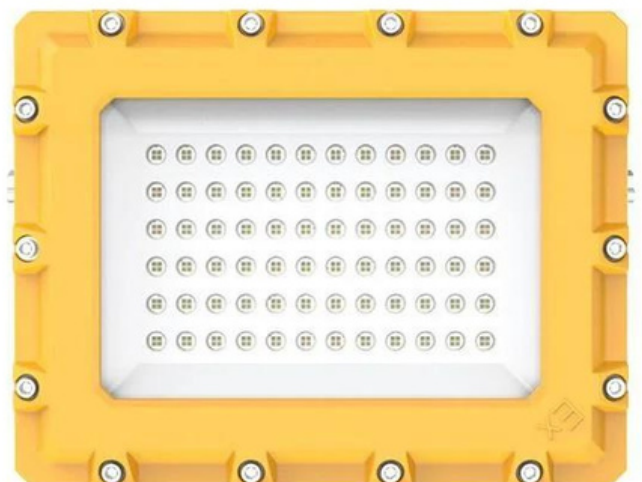
These explosion proof floodlights are more compact, weighing about 16 kgs.

SAVINGS

KLE series is energy efficient and can reduce your energy, maintenance, and manpower costs.

LONG LIFESPAN

With effective heat sinking, the lifespan can be increased up to 50.000 hours.

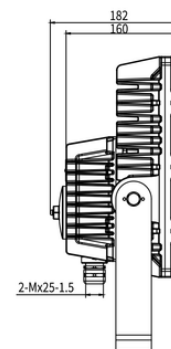
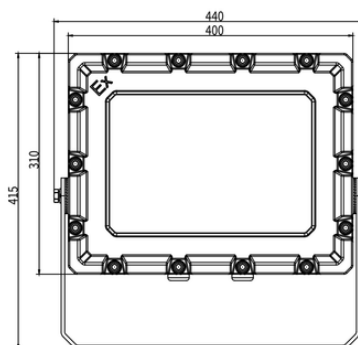


KLE 1017-50

LED

IP66

50W



Technical data

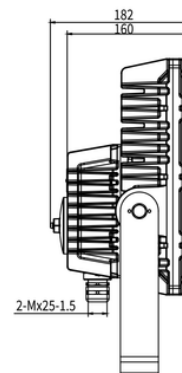
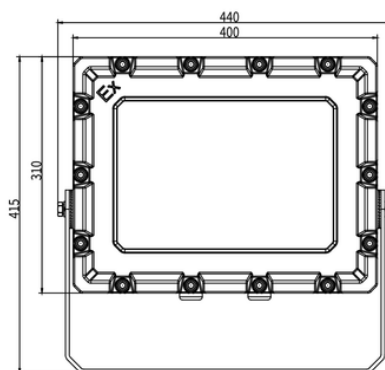
AMBIENT TEMPERATURE	-40°C TO +50°
IP CLASSIFICATION	IP66
VOLTAGE	100-277V AC
FREQUENCY	50-60HZ
DRIVER TYPE	HIGH FREQUENCY
LED COLOR	5000K, CRI>80
SYSTEM LUMEN	6800 LM
POWER CONSUMPTION	50W
LIFETIME	50.000 HR
POWER FACTOR	0.95 (230V, 50HZ)
HOUSING	ALUMINUM ALLOY/TEMPERED GLASS
LED CHIP AND DRIVER	CREE AND MEANWELL XLG
EX CLASS/MARKING	II 2G EX DB OP IS IIB TS GB II 2D EX OP IS TB IIC T95 DB

KLE 1017-100

LED

IP66

100W



Technical data

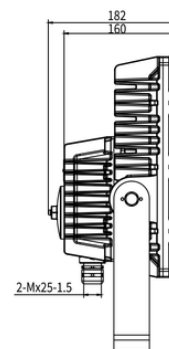
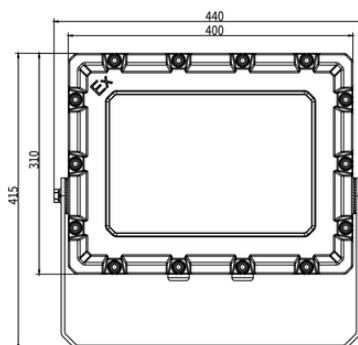
AMBIENT TEMPERATURE	-40°C TO +50°
IP CLASSIFICATION	IP66
VOLTAGE	100-277V AC
FREQUENCY	50-60HZ
DRIVER TYPE	HIGH FREQUENCY
LED COLOR	5000K, CRI>80
SYSTEM LUMEN	13.680 LM
POWER CONSUMPTION	100W
LIFETIME	50.000 HR
POWER FACTOR	0.95 (230V, 50HZ)
HOUSING	ALUMINUM ALLOY/TEMPERED GLASS
LED CHIP AND DRIVER	CREE AND MEANWELL XLG
EX CLASS/MARKING	II 2G EX DB OP IS IIB TS GB II 2D EX OP IS TB IIC T95 DB

KLE 1017-120

LED

IP66

120W



Technical data

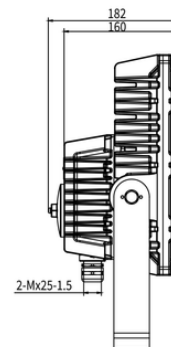
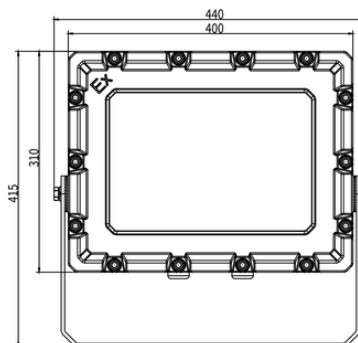
AMBIENT TEMPERATURE	-40°C TO +50°
IP CLASSIFICATION	IP66
VOLTAGE	100-277 VAC
FREQUENCY	50-60HZ
DRIVER TYPE	HIGH FREQUENCY
LED COLOR	5000K, CRI>80
SYSTEM LUMEN	16.080 LM
POWER CONSUMPTION	120W
LIFETIME	50.000 HR
POWER FACTOR	0.95 (230V, 50HZ)
HOUSING	ALUMINUM ALLOY/TEMPERED GLASS
LED CHIP AND DRIVER	CREE AND MEANWELL XLG
EX CLASS/MARKING	II 2G EX DB OP IS IIB TS GB II 2D EX OP IS TB IIC T95 DB

KLE 1017-150

LED

IP66

150W



Technical data

AMBIENT TEMPERATURE	-40°C TO +50°
IP CLASSIFICATION	IP66
VOLTAGE	100-277V AC
FREQUENCY	50-60HZ
DRIVER TYPE	HIGH FREQUENCY
LED COLOR	5000K, CRI>80
SYSTEM LUMEN	17.100 LM
POWER CONSUMPTION	150W
LIFETIME	50.000 HR
POWER FACTOR	0.95 (230V, 50HZ)
HOUSING	ALUMINUM ALLOY/TEMPERED GLASS
LED CHIP AND DRIVER	CREE AND MEANWELL XLG
EX CLASS/MARKING	II 2G EX DB OP IS IIB TS GB II 2D EX OP IS TB IIC T95 DB

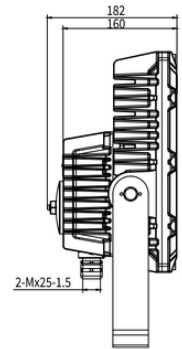
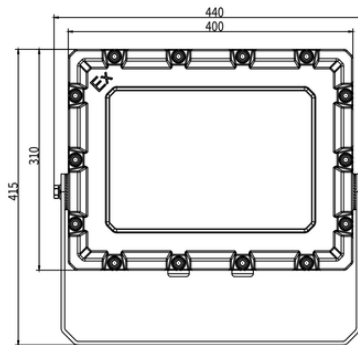
EX PROOF FLOODLIGHTS

KLE 1017-180

LED

IP66

180W



Technical data

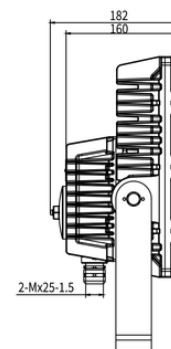
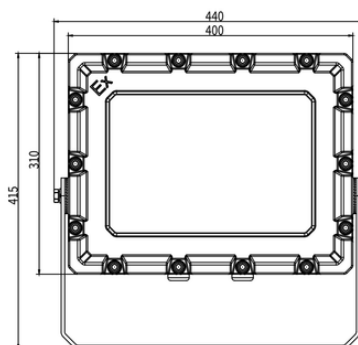
AMBIENT TEMPERATURE	-40°C TO +50°
IP CLASSIFICATION	IP66
VOLTAGE	100-277 VAC
FREQUENCY	50-60HZ
DRIVER TYPE	HIGH FREQUENCY
LED COLOR	5000K, CRI>80
SYSTEM LUMEN	22.500 LM
POWER CONSUMPTION	180W
LIFETIME	50.000 HR
POWER FACTOR	0.95 (230V, 50HZ)
HOUSING	ALUMINUM ALLOY/TEMPERED GLASS
LED CHIP AND DRIVER	CREE AND MEANWELL XLG
EX CLASS/MARKING	II 2G EX DB OP IS IIB TS GB II 2D EX OP IS TB IIC T95 DB

KLE 1017-240

LED

IP66

240W



Technical data

AMBIENT TEMPERATURE	-40°C TO +50°
IP CLASSIFICATION	IP66
VOLTAGE	100-277V AC
FREQUENCY	50-60HZ
DRIVER TYPE	HIGH FREQUENCY
LED COLOR	5000K, CRI>80
SYSTEM LUMEN	26.160 LM
POWER CONSUMPTION	240W
LIFETIME	50.000 HR
POWER FACTOR	0.95 (230V, 50HZ)
HOUSING	ALUMINUM ALLOY/TEMPERED GLASS
LED CHIP AND DRIVER	CREE AND MEANWELL XLG
EX CLASS/MARKING	II 2G EX DB OP IS IIB TS GB II 2D EX OP IS TB IIC T95 DB