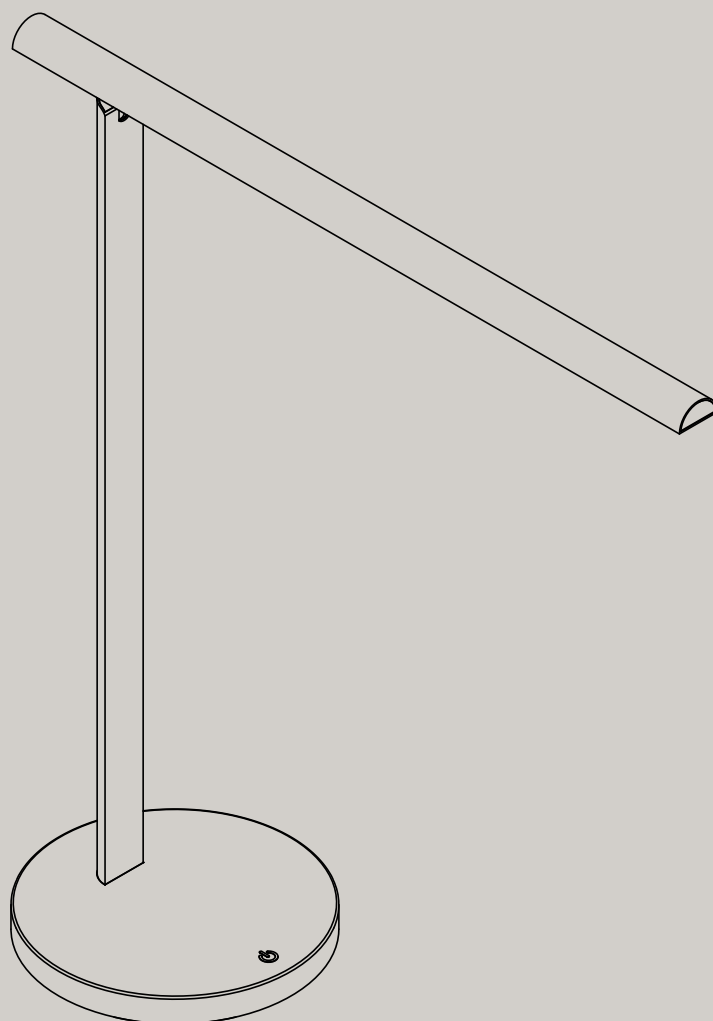
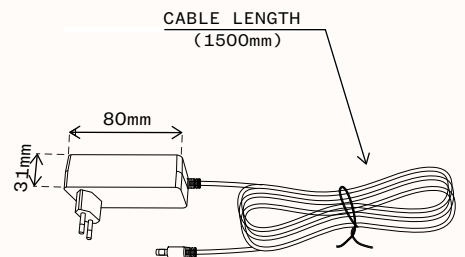
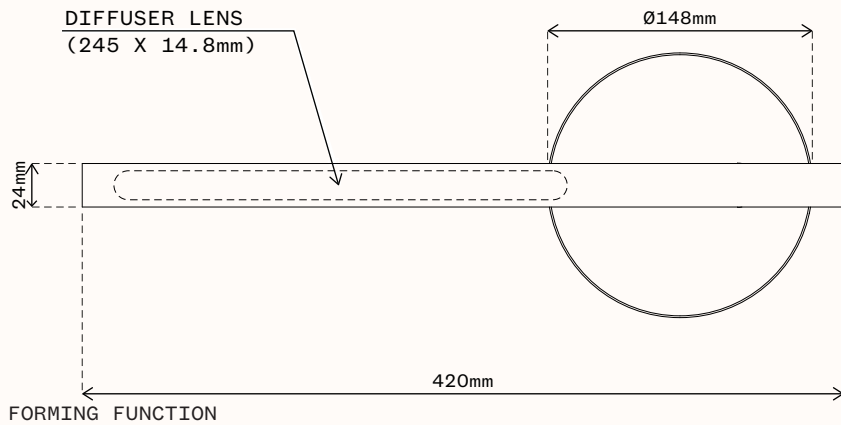
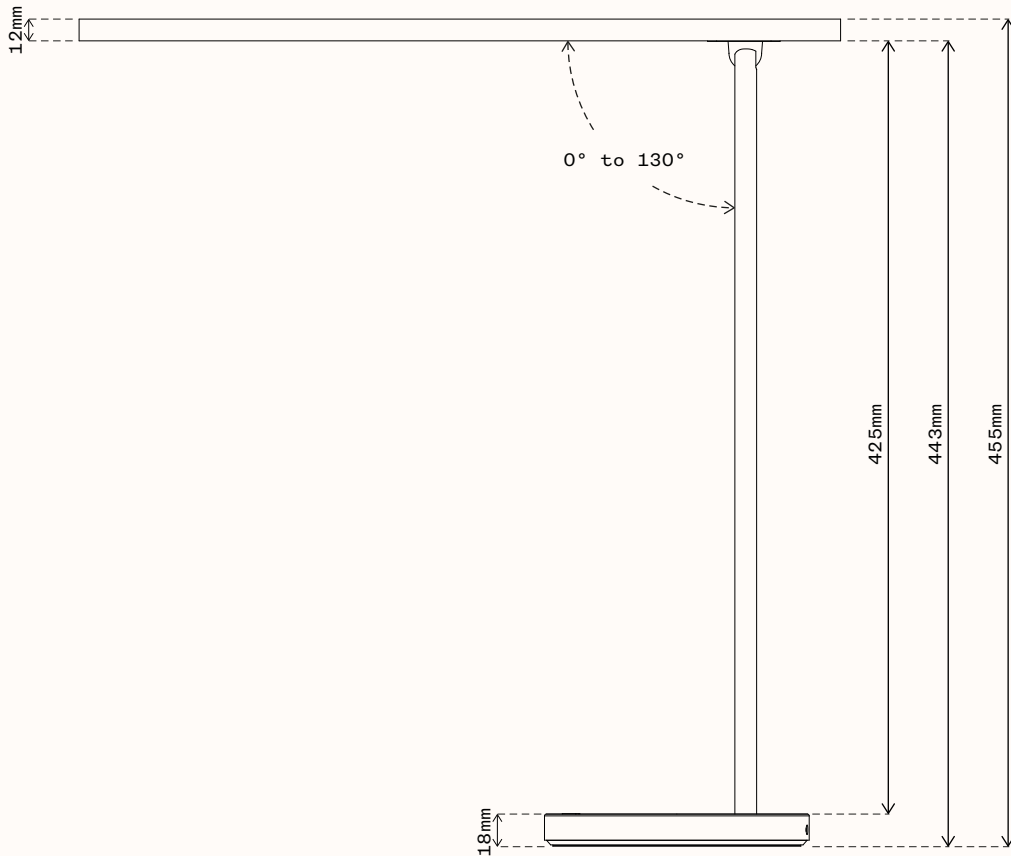


# ANGLE LAMP<sup>01</sup>



# Dimensions

See user manual for assembly instructions.



# ANGLE LAMP<sup>01</sup>

ADJUSTABLE TABLE LAMP, 1 USB-A CHARGER, BLACK/WHITE

**ART. NO**

8202000109      BLACK  
8202000101      WHITE

## Technical data

INTERFACE	ADJUSTABLE TABLE LAMP, 1 USB-A CHARGER
MOUNTING	TABLE BASE
LIGHT SOURCE	INTEGRATED LED - TYPE 2835
CONTROL TYPE	TOUCH
LAMP CONTROLS	ON/OFF, DIMMER
AUTO OFF	AFTER 4 HOURS
LIGHT SOURCE LUMINUS FLOW	2450 lm (4000°K)
LIGHT SOURCE EFFICIENCY	95 lm/W
COLOUR TEMPERATURE (CCT)	4000 KELVIN
COLOUR RENDERING INDEX	Ra > 93 CRI
MATERIAL	ALUMINIUM
COLOUR	BLACK RAL 9005, WHITE RAL 9016
FINSIH	MATE
CERTIFICATIONS	CE, RoHS

# Read before installation and usage

---



Do not cover

Electrical products may only be daisy-chained if integrated into a fixed installation. Normal power sockets may not be used for the connection to further socket rails.



Electronic equipment is recyclable and should not be disposed of with household waste, if the device has reached the end of its life, dispose of at the recycling points in accordance with local regulations. Disposal with household waste is prohibited



The device may only be used in a dry indoor environment.



Incorrect installation may endanger:

- Safety of the installer
  - Safety of the end-user and safety of the property.
- Incorrect installation may result in personal liability for damage of property or injury to persons.

**For safe installation please ensure the following:**

- The 5 safety rules to apply: Disconnect mains; Prevent reconnection; Test for absence of harmful voltages; Ground and short circuits; Cover or close off nearby live parts;
- Choose proper tools, measuring devices and personal protective equipment
- Analyse measured results
- Selection of electrical installation material to ensure switch-off conditions
- IP protection ratings
- Fitting of electrical installation material;
- Type of the feeding system (TN system, IT system, TT system...) and the resulting switching conditions (classic zeroing, protective earthing, necessary additional measures, etc.).



**RoHS**  
Compliant