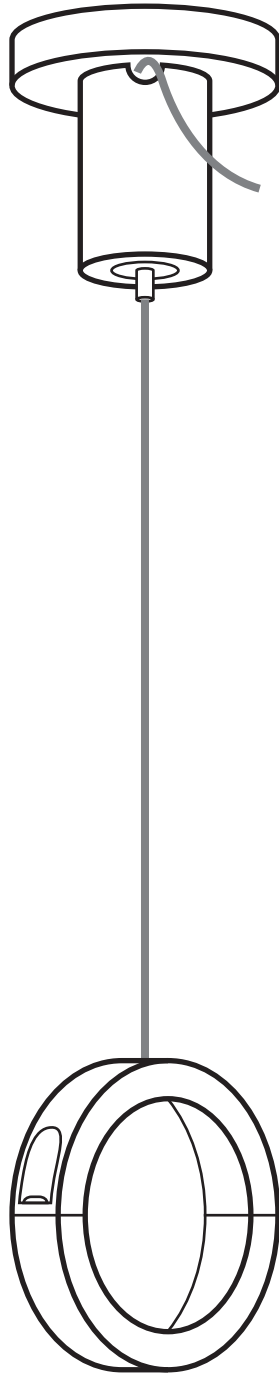


INSTALLATION INSTRUCTION

Wire Suspension



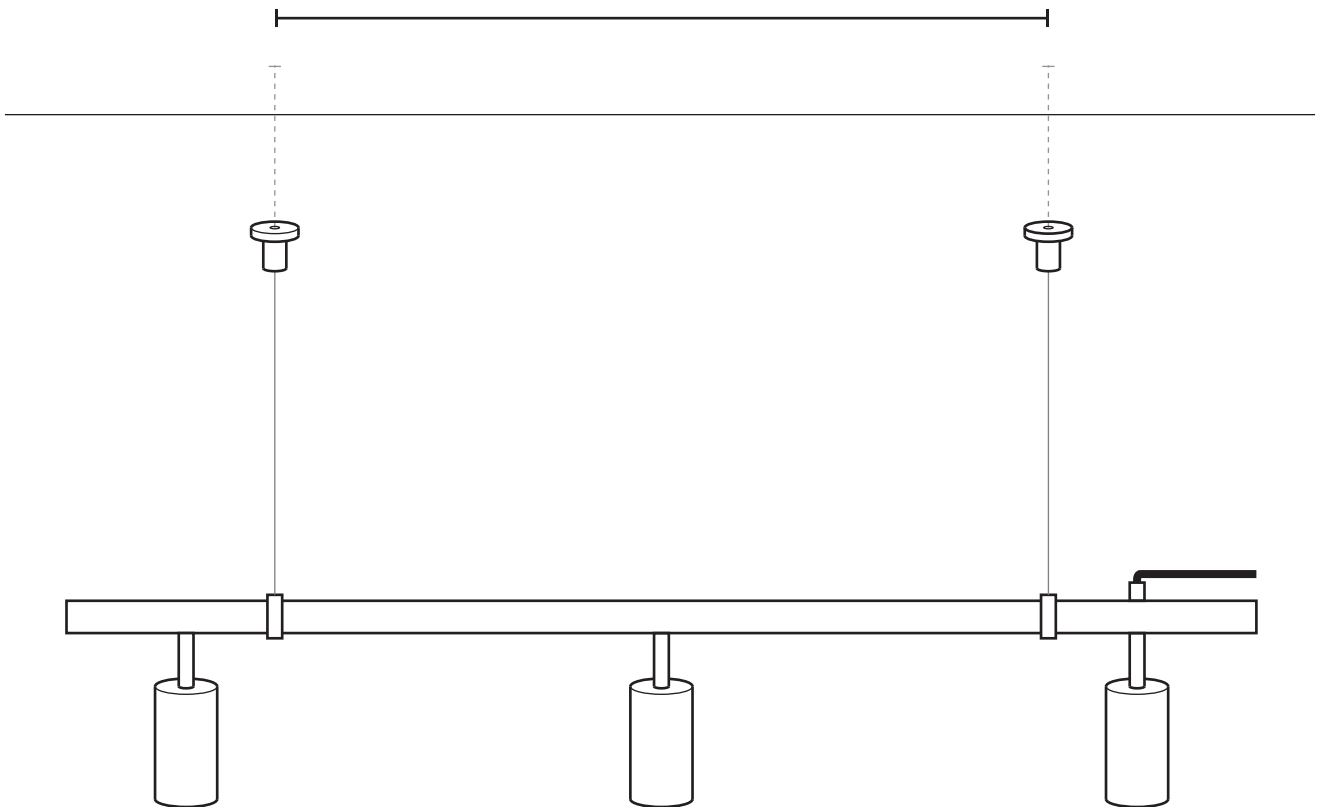
Rubn®

INSTALLATION INSTRUCTION

1



Measure, mark and align the desired distance between the wires, before drilling into the ceiling.



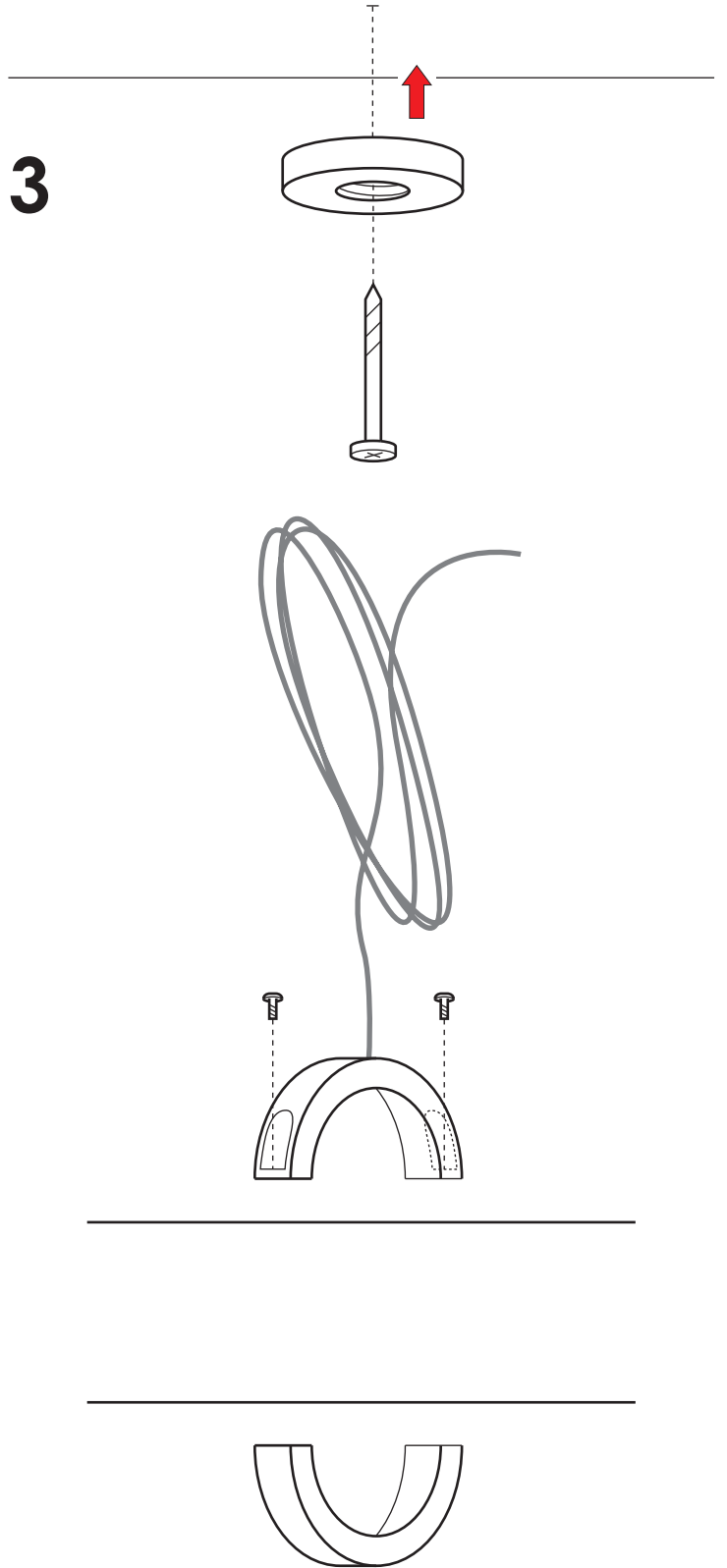
Rubn®

INSTALLATION INSTRUCTION

2



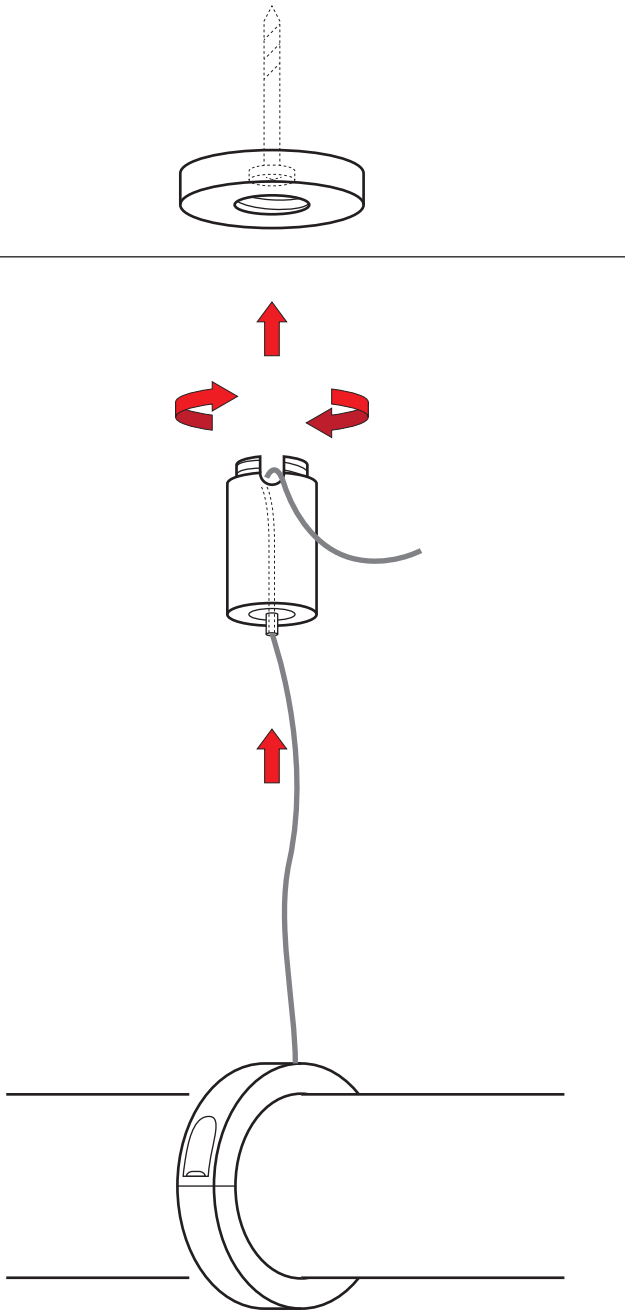
3



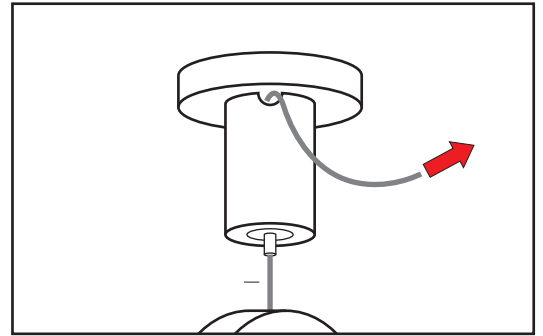
Rubn®

INSTALLATION INSTRUCTION

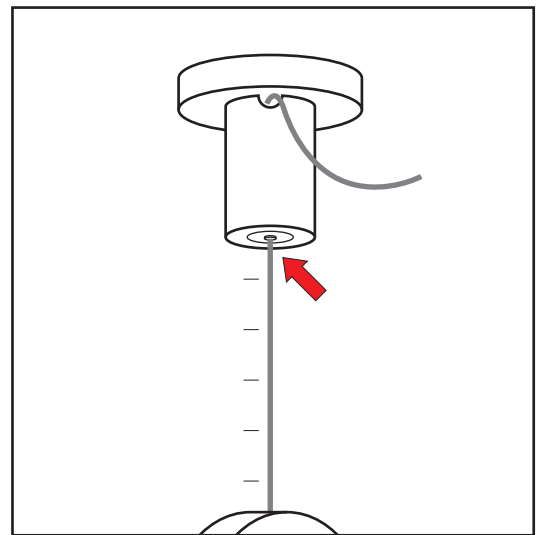
4



Thread wire through lock.
Connect lock to ceiling.



Raise lamp by pulling the wire.



Lower lamp by pushing in small
bottom cylinder.



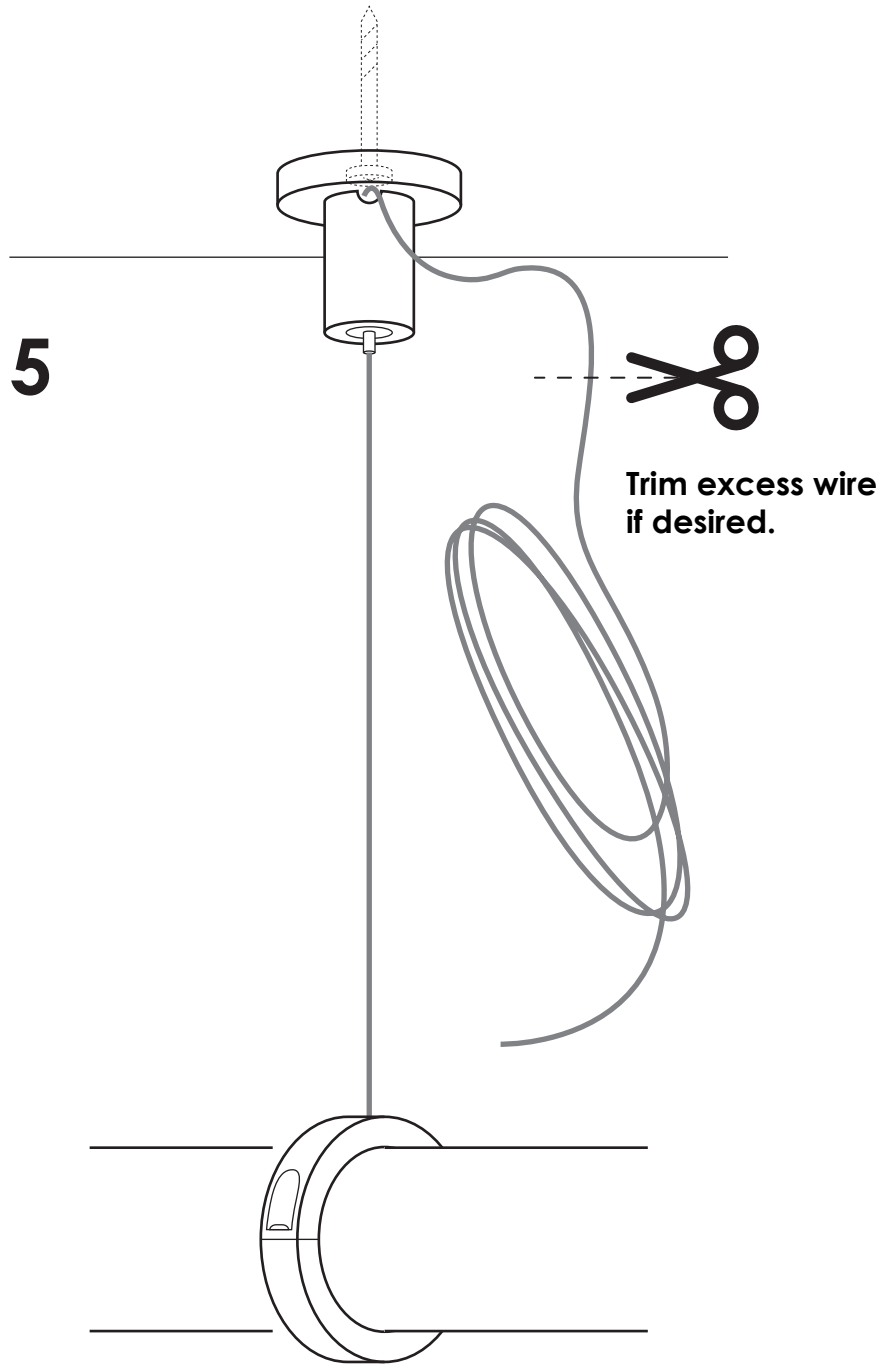
Be careful not to lower it
past end of wire.



Keep a steady grip on
the lamp when adjusting
so it does not drop.

Rubn®

INSTALLATION INSTRUCTION



Rubn®