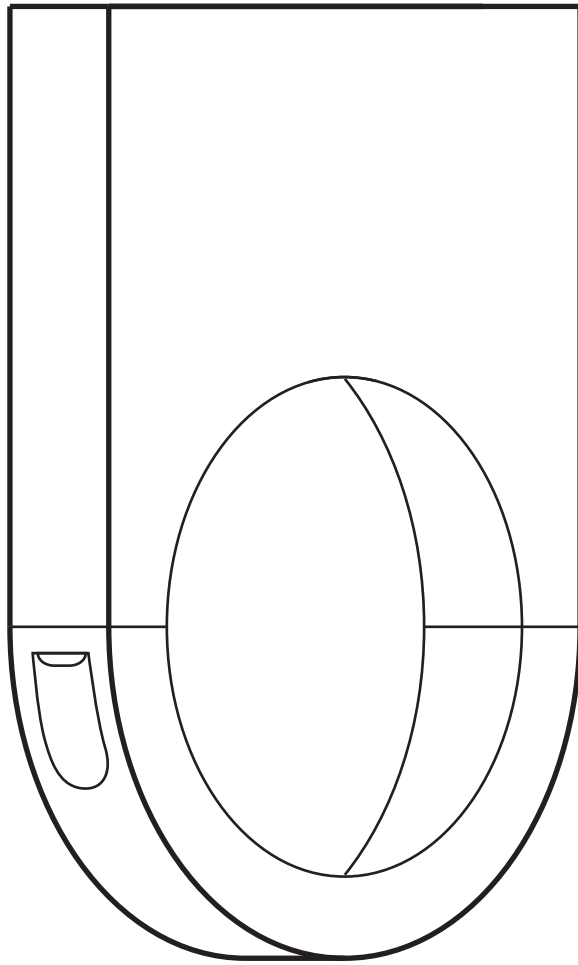


INSTALLATION INSTRUCTION

Ceiling/Wall Bracket



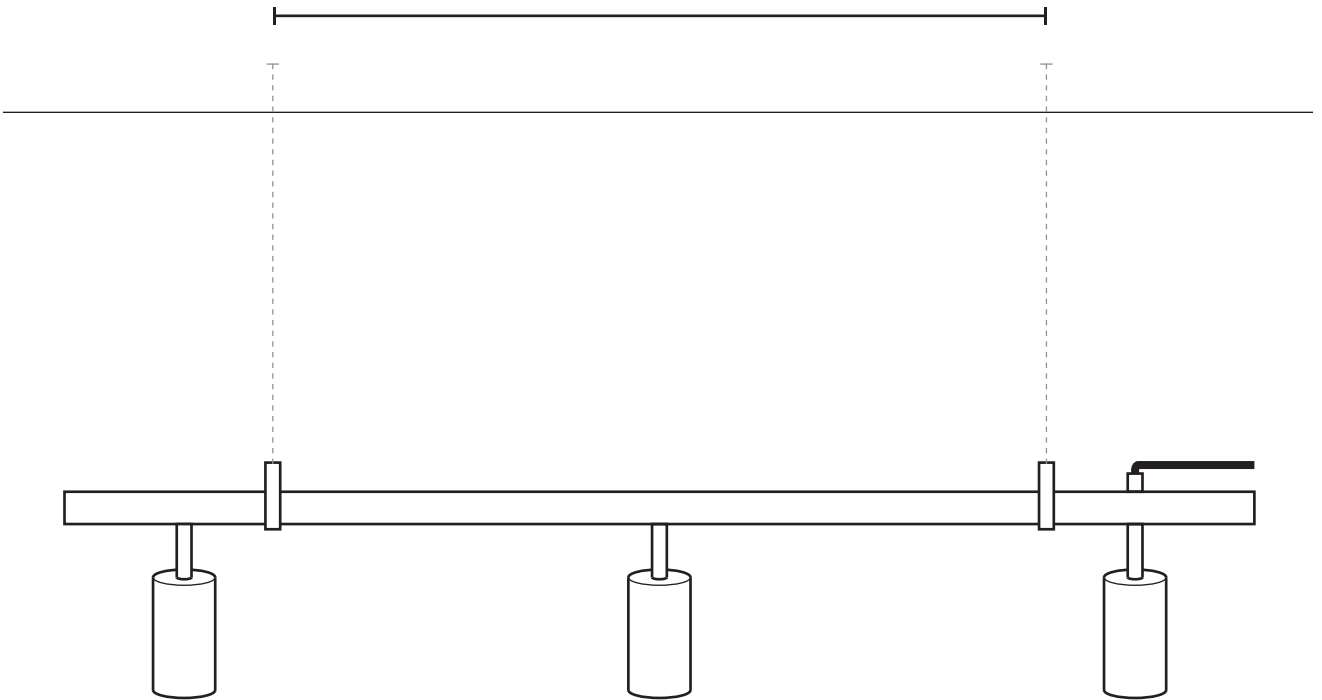
Rubn®

INSTALLATION INSTRUCTION

1

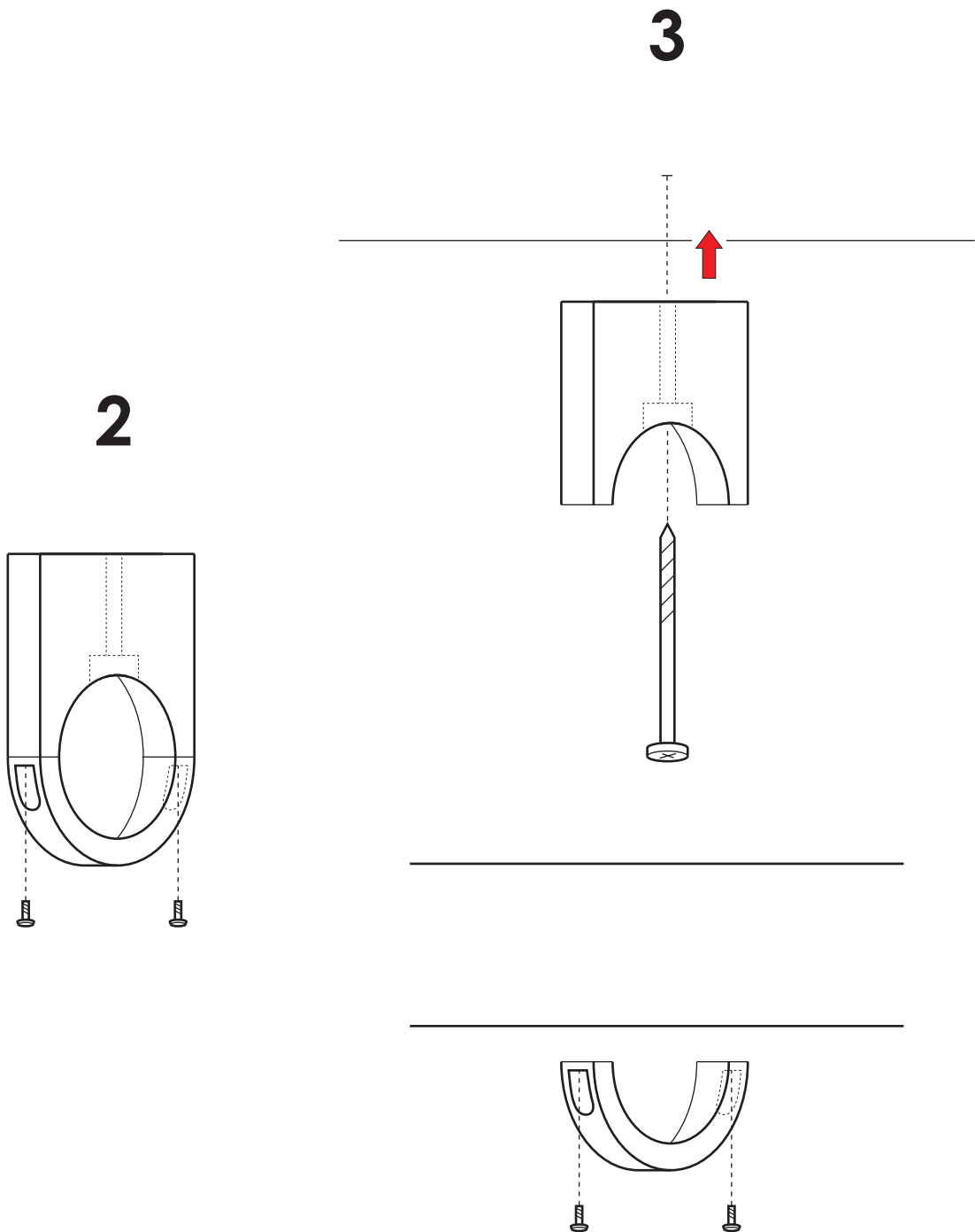


Measure, mark and align the desired distance between the brackets, before drilling into the ceiling/wall.



Rubn®

INSTALLATION INSTRUCTION



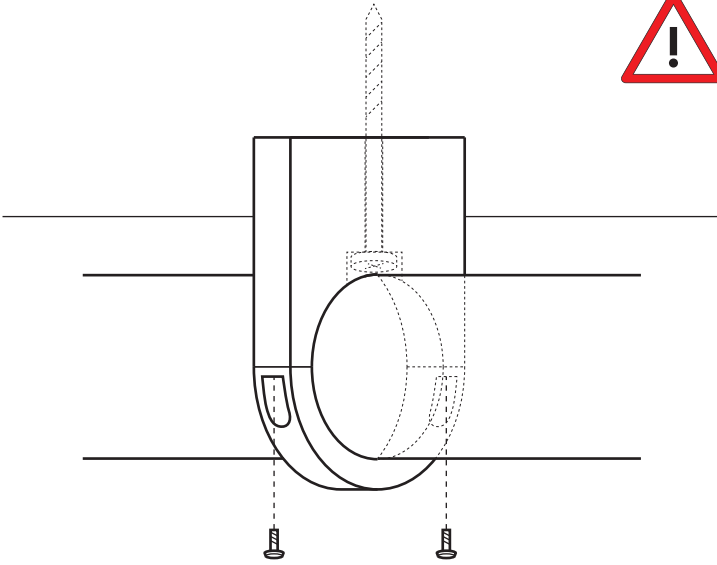
Rubn®

INSTALLATION INSTRUCTION

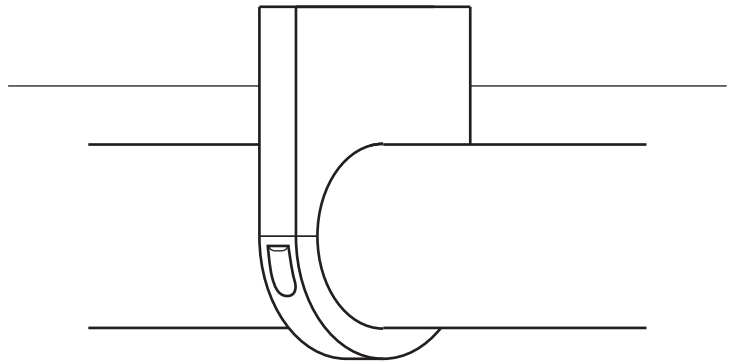
4



Keep a steady grip on the lamp until both brackets are secured.



5



Rubn®