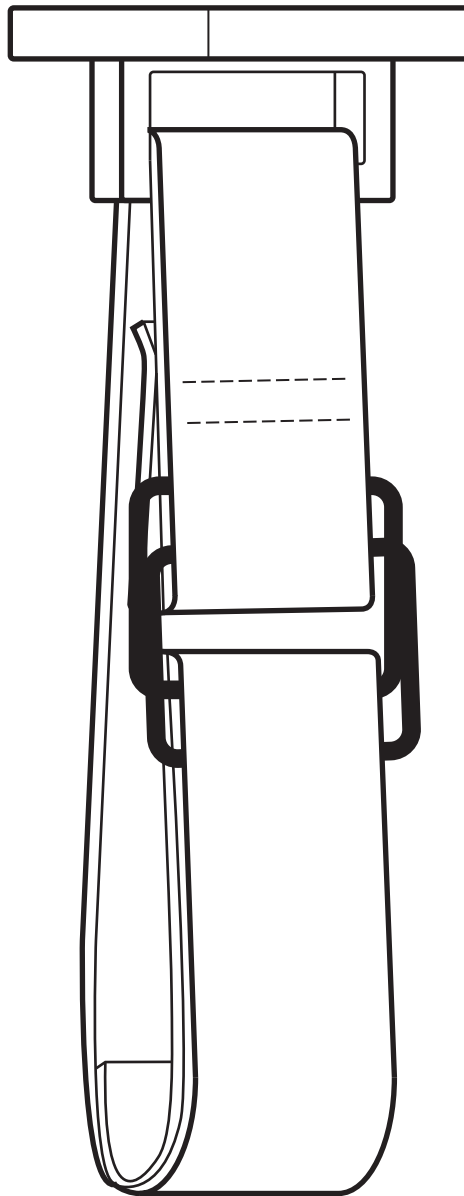


INSTALLATION INSTRUCTION

Ceiling Leather Straps



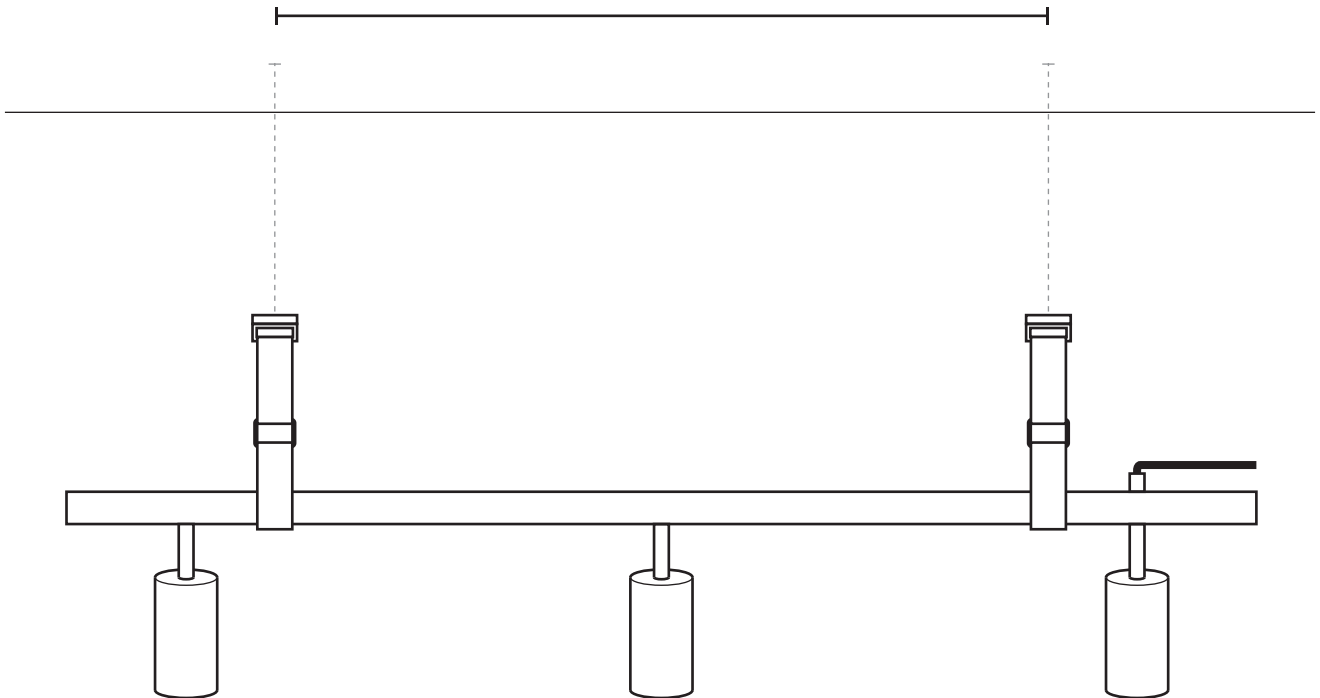
Rubn®

INSTALLATION INSTRUCTION

1

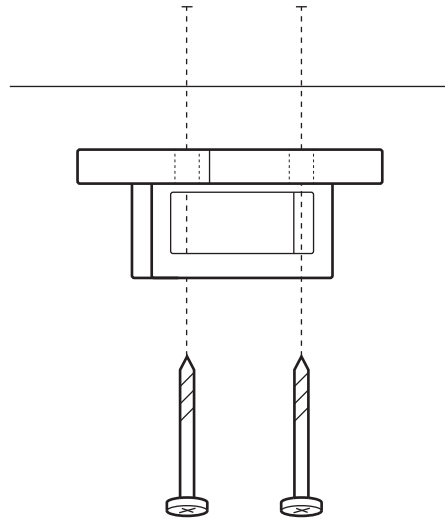


Measure, mark and align the desired distance between the straps, before drilling into the ceiling.

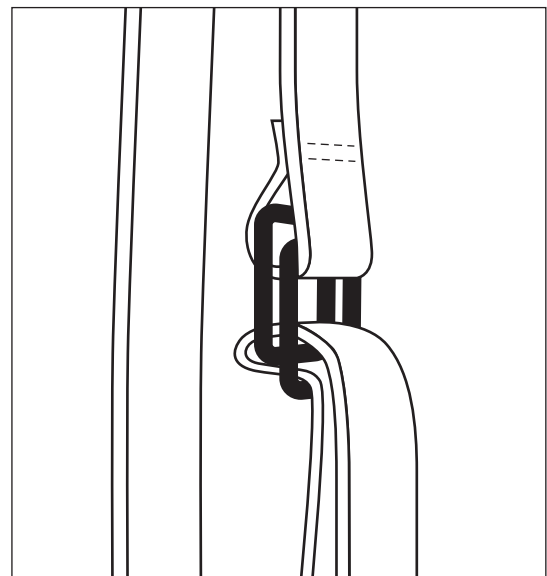
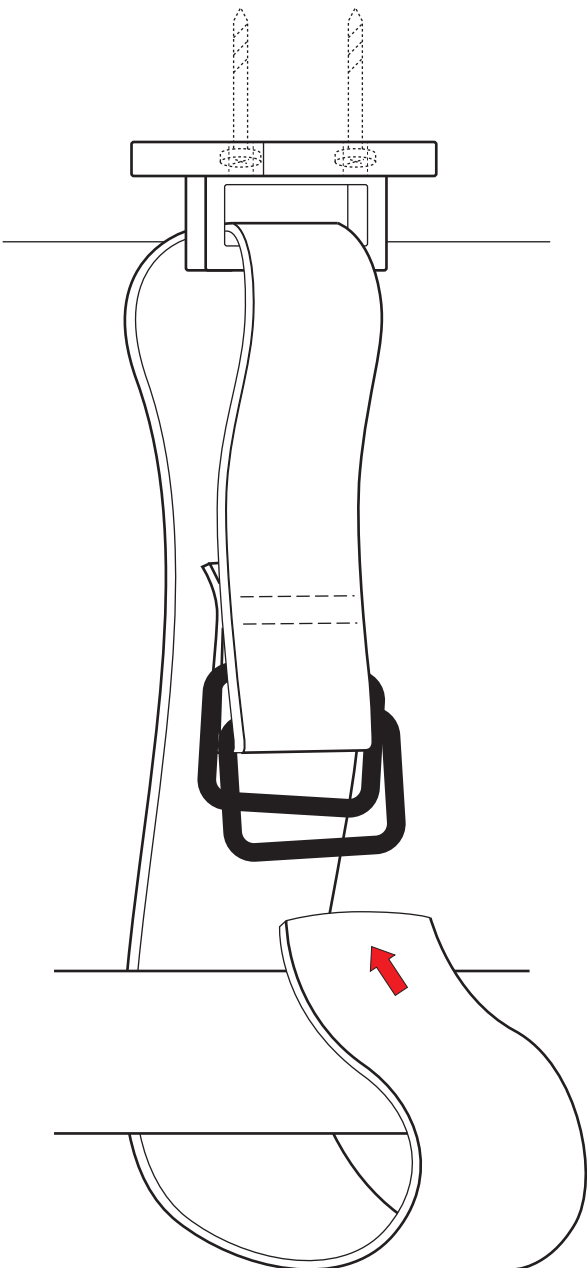


INSTALLATION INSTRUCTION

2



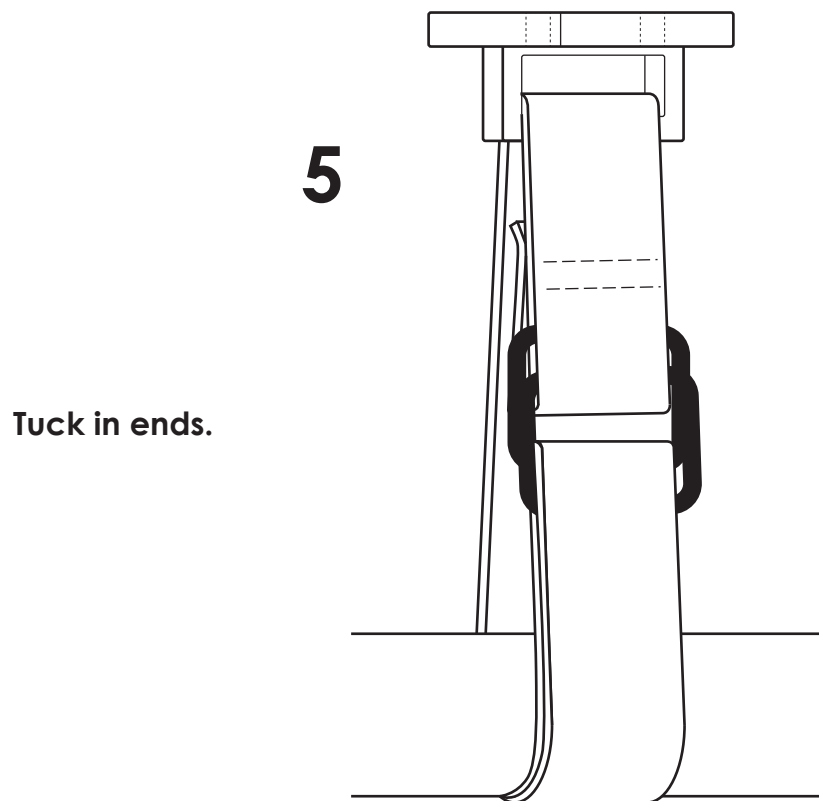
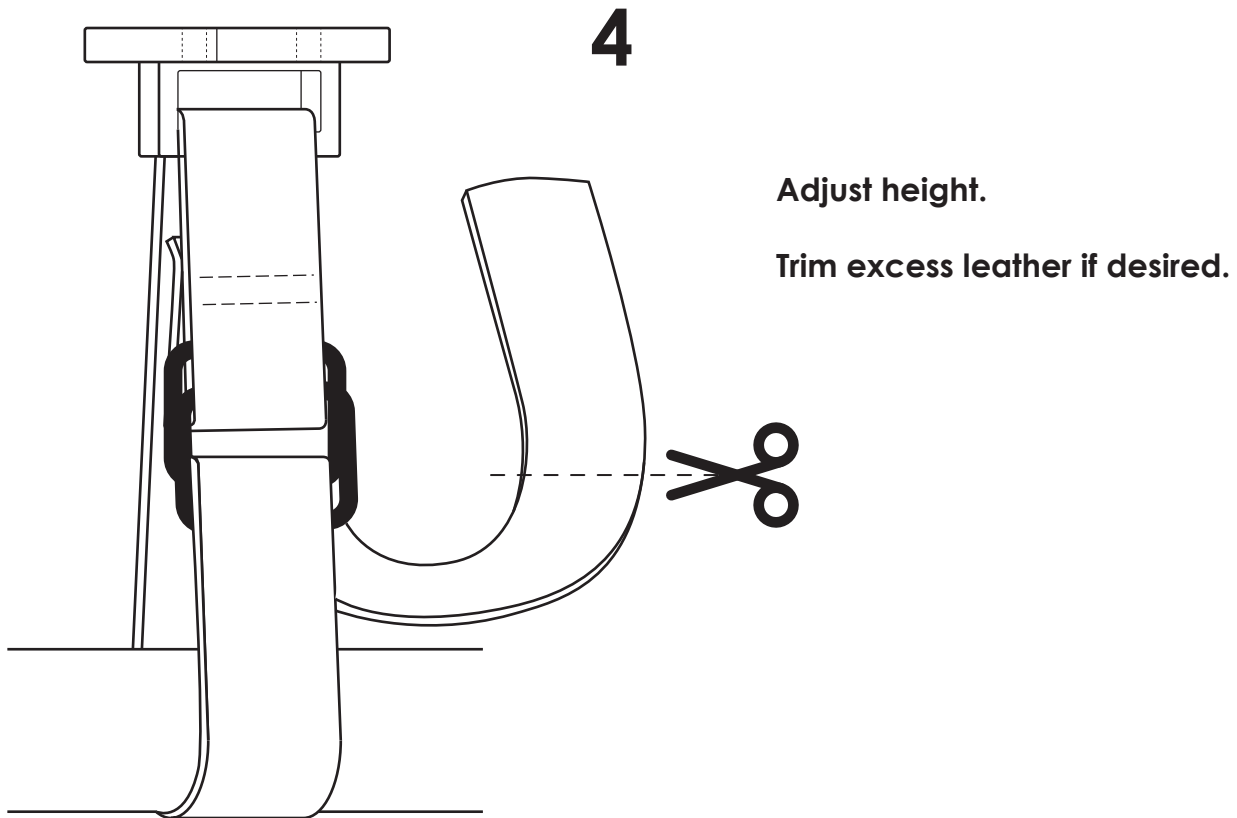
3



**Pull strap trough both metal rings.
Loop back through first ring to fasten.**

Rubn®

INSTALLATION INSTRUCTION



Rubn®