

Sky Elevator

Included in package

- 1 pc Sky LED 24V
- 2 pc Power Supply Tridonic Switch/DIM 24V
- 1 pc mounted emergency light 12V
- 1 pc Push/DIM controller with frame
- Screws and pluggs
- Plasticplugs

Step 1

Hold the fixture against the ceiling. Mark with a screwdriver through the mounting holes in the frame. Drill the markings in the ceiling with a 2.5mm drill.



Step 2

Measure on the ceiling the appropriate passage of the cabling. (in the back 3 cables come from the luminair). Important not to pinch the wiring between the ceiling and the luminaire. Drill the Roof with 12mm drill.

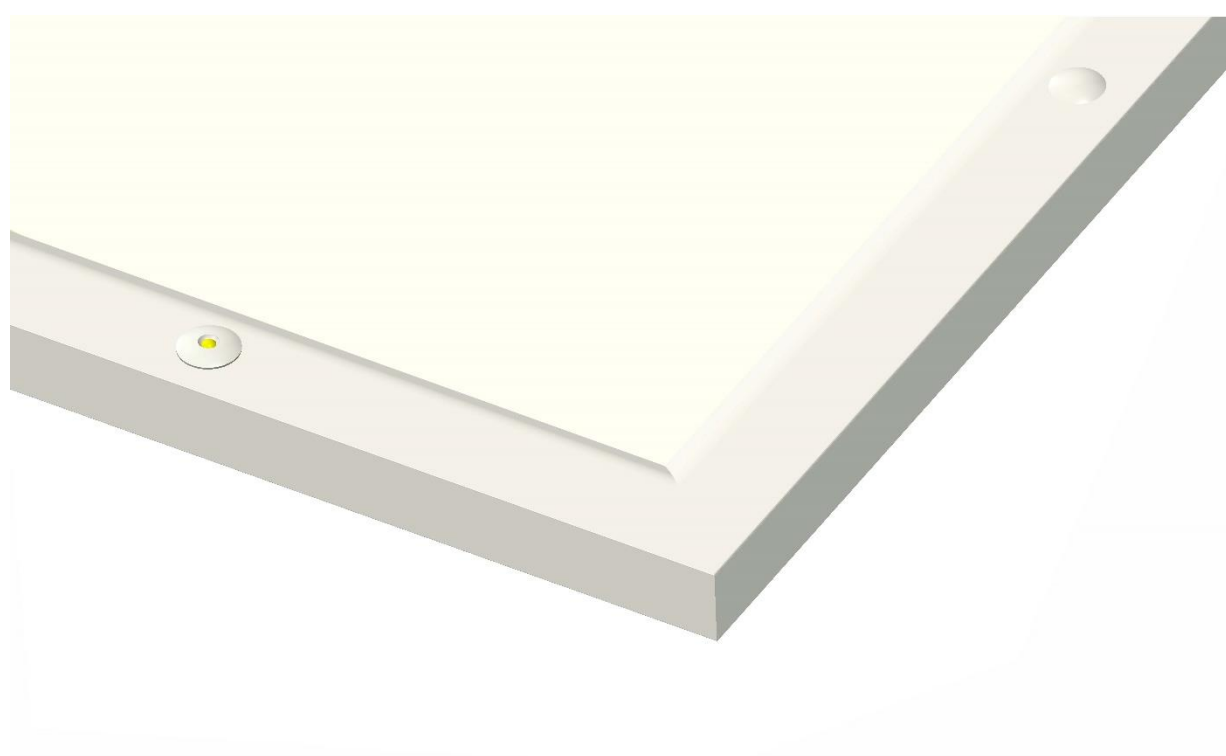
Step 3

Screw the luminaire to the roof.



Step 4

Mount the plastic plugs in the frame.



Step 5

Connect the wires to the power supplies and the pusch/DIM controller.

Typical application

- Cove lighting, facade accent lighting, ceiling integration

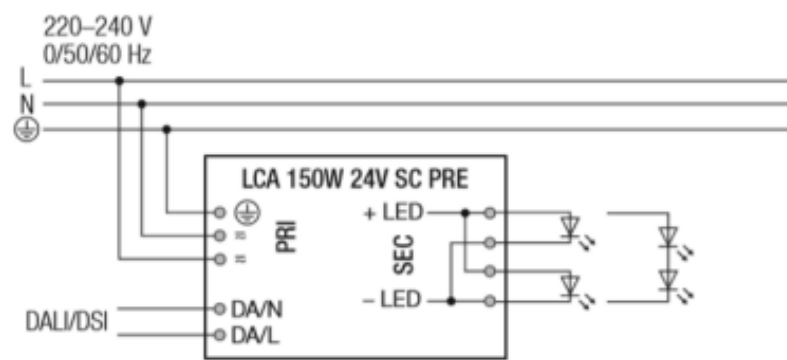
150W



60W

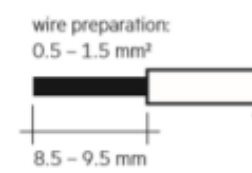


3.1 Circuit diagram

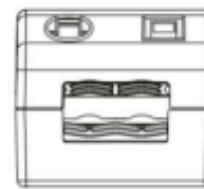


3.2 Mains supply wiring

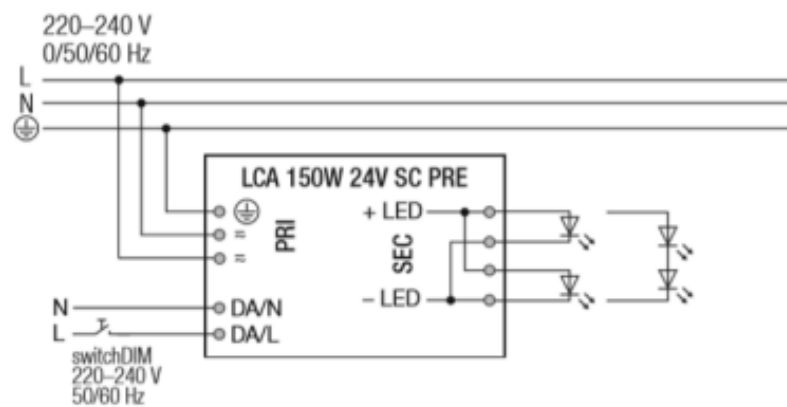
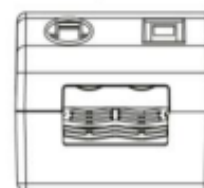
The wiring can be in stranded wires with ferrules or solid from 0.5 – 1.5 mm². For perfect function of the push-wire terminals (WAGO 250) the strip length should be 8.5 – 9.5 mm.



Secondary strain relief for cables with bigger cable sheath



Secondary strain relief for cable with smaller cable sheath



Step 6

Connect the emergency light to the battery.

The wiring from the emergency light is marked red.

ATTENTION! Only connect the emergency light to 12V.